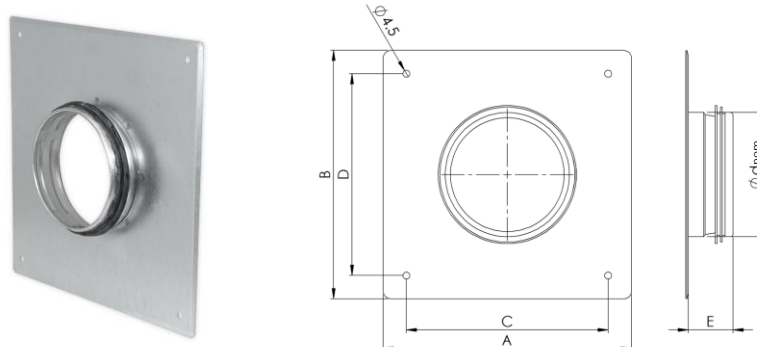


Metal ventilation adapter MVA / MVAS



Description

Ventilation adapters made of galvanized steel with Male type end connection

MVA - without a sealing ring

MVAS - with a sealing ring

Technical data

Construction Made of galvanized steel or other metals. Sealing made from EPDM rubber

Installation Screw fixing in any position

Colors Metallic, White

Dimensions

Type	A [mm]	B [mm]	C [mm]	D [mm]	E [mm]	Ød _{nom} [mm]	m [kg]
MVA80	160	160	130	130	30	80	0,16
MVAS80	160	160	130	130	30	80	0,17
MVA100	225	225	195	195	30	100	0,30
MVAS100	225	225	195	195	30	100	0,31
MVA125	225	225	195	195	30	125	0,29
MVAS125	225	225	195	195	30	125	0,31
MVA150	255	255	225	225	30	150	0,36
MVAS150	255	255	225	225	30	150	0,37
MVA160	255	255	225	225	30	160	0,35
MVAS160	255	255	225	225	30	160	0,37
MVA180	320	320	290	290	30	180	0,54
MVAS180	320	320	290	290	30	180	0,56
MVA200	320	320	290	290	30	200	0,52
MVAS200	320	320	290	290	30	200	0,54
MVA250	320	320	290	290	40	250	0,49
MVAS250	320	320	290	290	40	250	0,51
MVA315	380	380	350	350	40	315	0,61
MVAS315	380	380	350	350	40	315	0,64

Modifications

MVAxxx - connection without a sealing ring, uncoated

MVASxxx - connection with a sealing ring, uncoated

MVASxxxW - connection with a sealing ring, color – white RAL9016 polymer coating